

Hiab 017 T

Capacity 1.7 tm



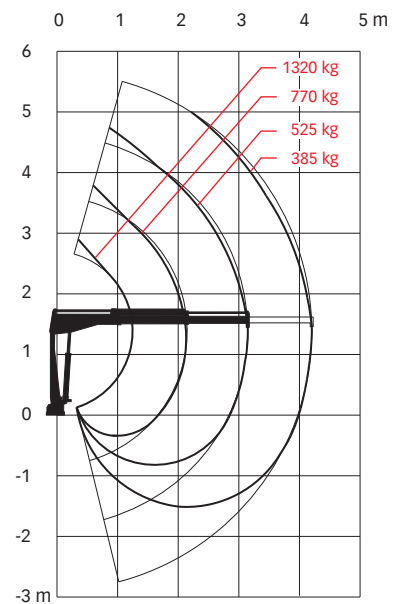
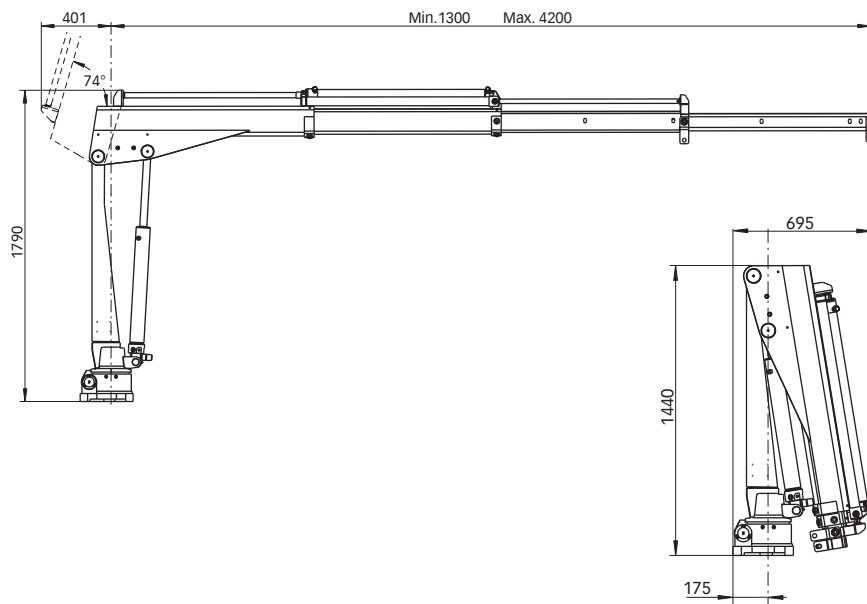
Basic data

Hiab 017 T Basic data

Technical data

	017 T-1	017 T-2
Max. lifting capacity (kNm)	16.3	16.2
Outreach - hydraulic extensions (m)	2.15	3.15
Outreach - manual extensions (m)	4.2	4.2
Outreach / lifting capacity (m / kg)	1.25 / 1320	1.25 / 1320
	2.15 / 770	2.15 / 770
	-	3.15 / 525
Slewing angle	330°	330°
Height in folded position (mm)	1440	1440
Width in folded position (mm)	695	695
Installation space needed (mm)	-	-
Weight - "standard" crane without stabilizers (kg)	190	210
Weight - stabilizer equipment (kg)	12 - 20	12 - 20

Hiab 017 T-2



Atlas Polar
IT'S ALL ABOUT QUALITY™

Atlas Polar Company Ltd.
60 Northline Road
Toronto, ON M4B 3E5
Canada
1-888-799-4422
info@atlaspolars.com
www.atlaspolars.com